

Bushing Data:

| | | |
|---------------------------------|------|----|
| Rated Voltage | 245 | kV |
| Phase to-earth Voltage | 170 | kV |
| Dry Lightning Impulse I, 2/50µs | 750 | kV |
| Wet Switching Impulse | 525 | kV |
| Wet Power frequency AC | 330 | kV |
| Routine test Imin dry 50Hz | 365 | kV |
| Rated Current | 3150 | A |
| Creepage Distance | 4795 | mm |
| Mass | 335 | kg |

Ordering Data:

BUSHING
 LF121059 -E / -AE COLOUR AIR INSULATOR
 BROWN / LIGHT GREY

OUTER TERMINAL

| | | |
|------------------------|---------|---------|
| LF170 073-A Al | H2 (mm) | D2 (mm) |
| LF170 073-B Cu | 125 | 60 |
| LF170 073-G Cu/Ag | 125 | 60 |
| OTHER TYPES ON REQUEST | 125 | 60 |

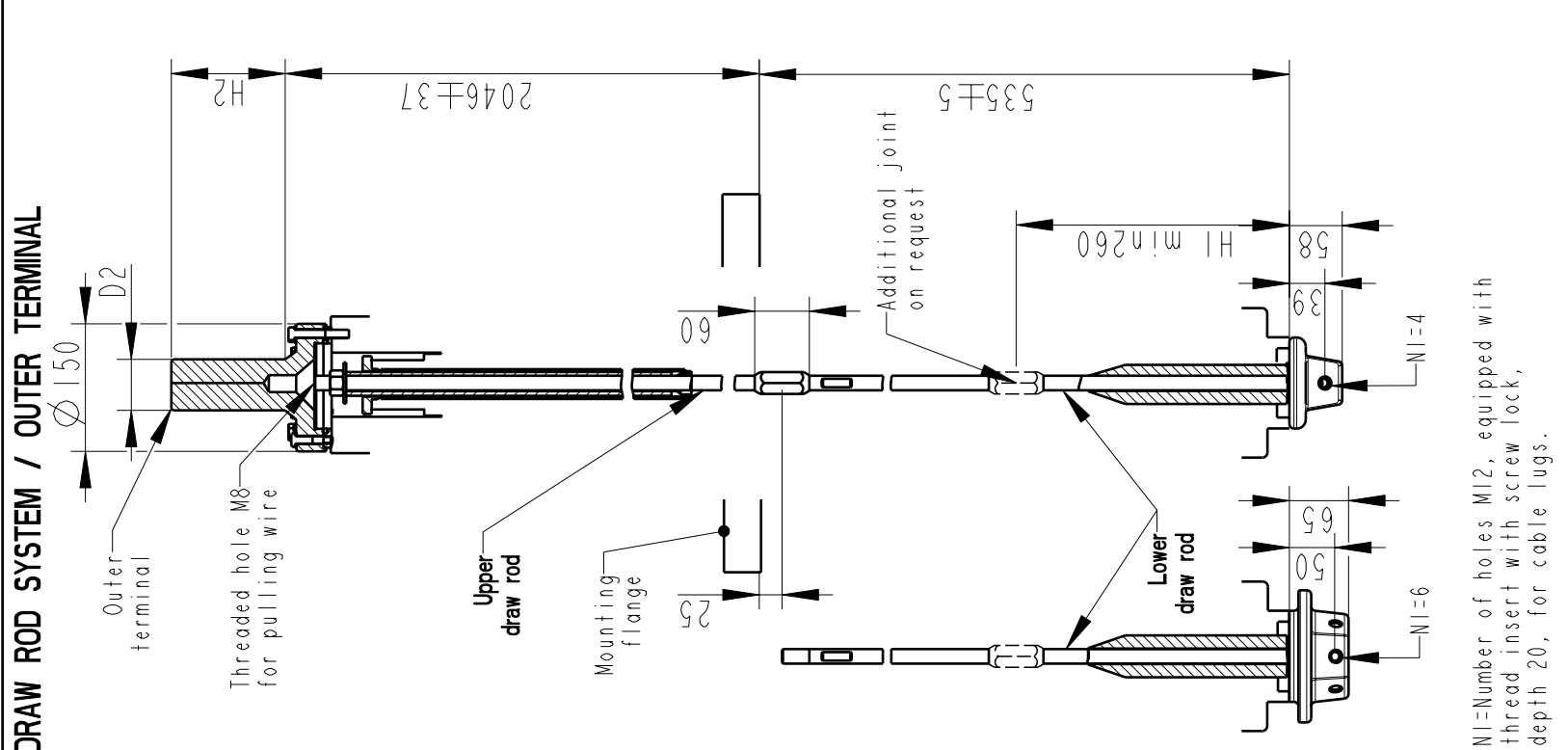
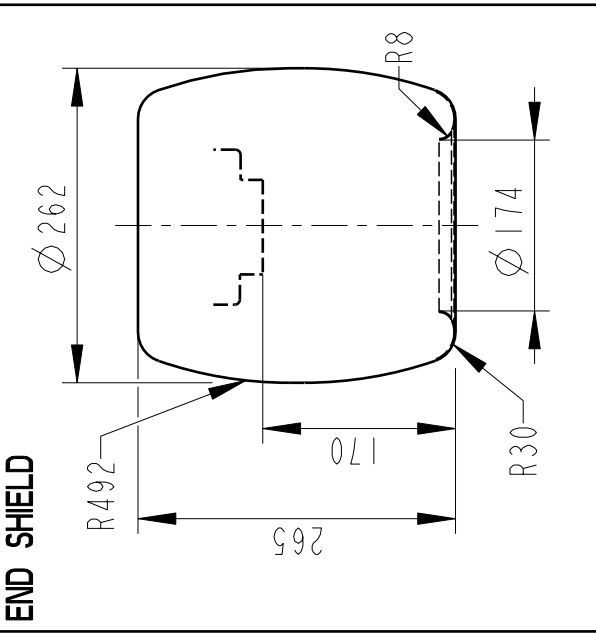
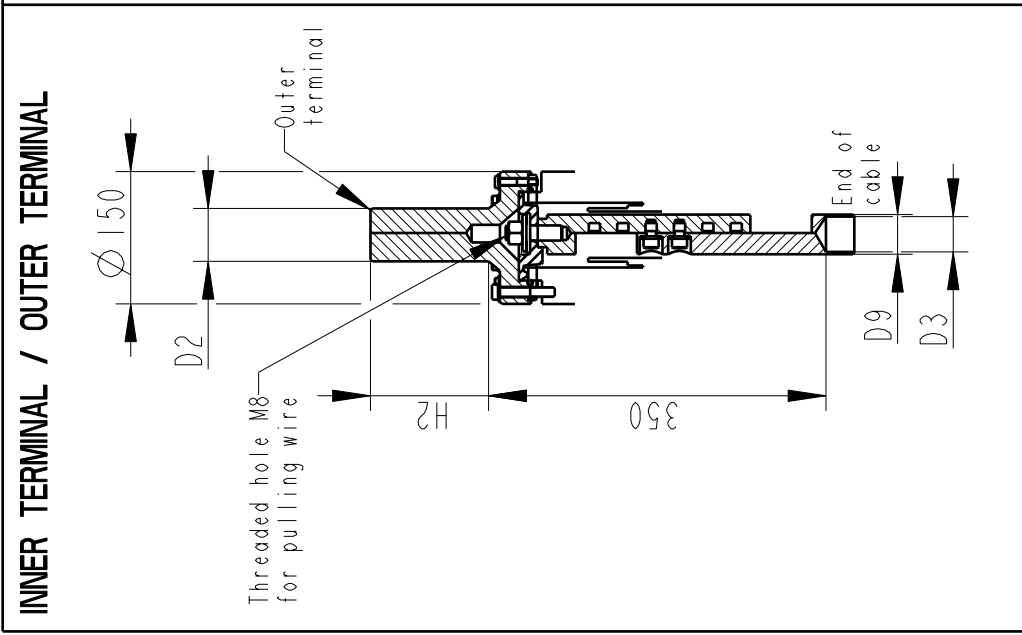
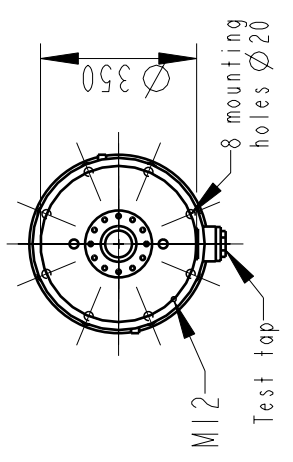
END-SHIELD
 LF170 046-U EPOXY INSULATED
 LF170 046-UP INSULATED WITH 3 mm PRESSBOARD

DRAW ROD SYSTEM
 LF170 059 LOWER DRAW ROD WITH NI=4 OR NI=6
 LF170 057 UPPER DRAW ROD

INNER TERMINAL

| | | | | |
|------------------|---------|-------------------------------|-------------|------|
| D3 (mm) | D9 (mm) | Cond. area (mm ²) | Current (A) | IEEC |
| LF170 056-E O *) | 45 | - | - | - |
| LF170 056-D | 40 | 45 | 600 | 1600 |
| | | | | 1360 |

*) WITH PILOT HOLE D=5



| | | |
|---------------------------|------------------------|-------------------------|
| Based on | Reg. No. | Title |
| Prepared | Responsible department | GOE-750-600-3150-0 |
| Lövnord | COM/BK 0022 | |
| Approved | Take over department | |
| Johansson | Database | |
| Design engineering review | | |
| Gutman | | |
| ABB ABB Components | | Document No. 2751369-68 |

ABB Components Lutha, Sweden

| | | | | | |
|----------------|----|------|----|-------|----|
| No. | kV | Hz | A | 50-60 | Hz |
| U ₁ | kV | SI | kV | AC | kV |
| M | kg | L | mm | D | |
| C1 | pF | Tanδ | | | |
| C2 | pF | Tanδ | | | |